

LOU MARTIN E ASSOC INC

2107 DANBURY DRIVE
SAN ANTONIO, TEXAS 78217

PHONE: (210) 930-8181
FAX: (210) 930-8184

COMPONENT MAINTENANCE MANUAL WITH ILLUSTRATED PARTS LIST

**Decorative Electrical Window Shade Assembly
F50-113M012**

Second Issue: MAY 29/03

25-23-03

MAY 29/03

Lou Martin & Assoc., Inc.
Component Maintenance Manual

25-23-03

Lou Martin & Assoc., Inc.
Component Maintenance Manual

25-23-03

Lou Martin & Assoc., Inc.
Component Maintenance Manual

25-23-03

Lou Martin & Assoc., Inc.
Component Maintenance Manual

TABLE OF CONTENTS

	Page
RECORD OF REVISIONS	i
RECORD OF TEMPORARY REVISIONS	ii
SERVICE BULLETIN LIST	iii
TABLE OF CONTENTS	iv
LIST OF EFFECTIVE PAGES	vi
INTRODUCTION	1
1. General	1
2. Layout of manual	1
3. Revision of the document	2
4. Certification of operations	3
5. WARNINGS-CAUTIONS-NOTES	3
6. List of Abbreviations	4
DESCRIPTION AND OPERATION	6
1. Description	6
2. Technical Data	7
TESTING AND FAULT ISOLATION	1001
1. Testing	1001
2. Fault Isolation	1002
SCHEMATIC AND WIRING DIAGRAMS	2001
1. General	2001
2. Job set-up information	2001
3. Preliminary Steps	2001
4. Window wiring diagrams	2001
UNINSTALLING WINDOW ASSY.	3001
1. General	3001
2. Job set-up information	3001
3. Preliminary Steps	3001
4. Cabin window removal	3002
5. E-hatch window clip removal	3003
DISASSEMBLY	4001
1. General	4001
2. Job set-up information	4001
3. Preliminary Steps	4001
4. Inner lens removal	4002
5. Blind mod. assy. removal	4002

TABLE OF CONTENTS

PAGE iv

MAY 29/03

25-23-03

Lou Martin & Assoc., Inc.
Component Maintenance Manual

CLEANING	5001
1. General	5001
2. Job set-up information	5001
3. Procedures	5002
AIRWORTHINESS LIMMITATIONS	6001
1. General	6001
INSPECTION/REPLACEMENT & REPAIR	7001
1. General	7001
2. Job set-up information	7001
3. Inspection of window unit	7002
4. Replacement of parts	7002
5. Replacement procedure for damaged shade motor	7003
6. Replacement procedure for a damaged inner lens	7004
7. Replacement procedure for a damaged outer lens	7005
ASSEMBLY	8001
1. General	8001
2. Job set-up information	8001
3. Blind mod. Reattachment	8002
4. Inner Lens reattachment	8003
5. Lower rail & end caps	8003
FITS AND CLEARANCES	9001
1. General	9001
2. Clearances	9001
SPECIAL TOOLS, FIXTURES, EQUIPMENT	10001
1. Special tools, fixtures and equipments	10001
STORAGE	11001
1. General	11001
ILLUSTRATED PARTS LIST	INTRO IPL 1
1. Introduction	INTRO IPL 1
2. How to use the Illustrated Parts List	INTRO IPL 2
3. Alphanumerical Index	ALPHANUMERICAL INDEX
DETAILED PARTS LIST	12001

TABLE OF CONTENTS

PAGE v

MAY 29/03

25-23-03

Lou Martin & Assoc., Inc.
Component Maintenance Manual

LIST OF EFFECTIVE PAGES

SUBJECT	PAGE	DATE	SUBJECT	PAGE	DATE
TITLE PAGE		MAY 29/03	SCHEMATIC AND WIRING DIAGRAMS	2001 2002 2003	MAY 29/03 MAY 29/03 MAY 29/03
RECORD OF REVISIONS	i	MAY 29/03		2004 2005 2006	MAY 29/03 MAY 29/03 BLANK
RECORD OF TEMPORARY REVISIONS	ii	MAY 29/03			
SERVICE BULLETIN LILST	iii	MAY 29/03	UNINSTALLING WINDOW ASSY.	3001 3002 3003 3004	MAY 29/03 MAY 29/03 MAY 29/03 MAY 29/03
			DISASSEMBLY	4001 4002	MAY 29/03 MAY 29/03
TABLE OF CONTENTS	iv v	MAY 29/03 MAY 29/03			
LIST OF EFFECTIVE PAGES	vi vii	MAY 29/03 MAY 29/03	CLEANING	5001 5002 5003 5004	MAY 29/03 MAY 29/03 BLANK MAY 29/03
INTRODUCTION	1 2 3 4 5 6	MAY 29/03 MAY 29/03 MAY 29/03 MAY 29/03 MAY 29/03 BLANK	AIRWORTHINESS LIMITATIONS REPLACEMENT &	6001 6002 7001	MAY 29/03 BLANK MAY 29/03
DESCRIPTION AND OPERATION	7 8	MAY 29/03 MAY 29/03	REPAIR ASSEMBLY	7002 7003 8001 8002	MAY 29/03 MAY 29/03 MAY 29/03 MAY 29/03
TESTING AND FAULT	1001 1002 1003 1003	MAY 29/03 MAY 29/03 MAY 29/03 BLANK			

LIST OF EFFECTIVE PAGES
PAGE vi
MAY 29/03

25-23-03

Lou Martin & Assoc., Inc.
Component Maintenance Manual

LIST OF EFFECTIVE PAGES

SUBJECT	PAGE	DATE	SUBJECT	PAGE	DATE
FITS AND CLEARANCES	9001	MAY 29/03			
	9002	MAY 29/03			
SPECIAL TOOLS, FIXTURES, AND EQUIPMENT	10001	MAY 29/03			
STORAGE	10001	MAY 29/03			
	10002	BLANK			
ILLUSTRATED PARTS LIST	INTRO IPL 1	MAY 29/03			
	INTRO IPL 2	MAY 29/03			
	INTRO IPL 3	MAY 29/03			
	INTRO IPL 4	MAY 29/03			
	INTRO IPL 5	MAY 29/03			
	INTRO IPL 6	BLANK			
ALPHANUMERICAL INDEX	1	MAY 29/03			
	2	MAY 29/03			
DETAILED PARTS LIST	120001-0	MAY 29/03			
	120001-1	MAY 29/03			
	120002-0	MAY 29/03			
	120002-1	MAY 29/03			
	120003-0	MAY 29/03			

Z

LIST OF EFFECTIVE PAGES
PAGE vii
MAY 29/03

25-23-03

Lou Martin & Assoc., Inc.
Component Maintenance Manual

Introduction

TASK 25-23-03-990-801

1. General

- A. This document writing follows the directives of the “A.T.A Specification No. 100” updating N° 36. The instructions in this manual give the information necessary to do maintenance functions ranging from simple checks and replacement to complete shop type repair for the equipment, manufactured and supported by:

Lou Martin & Assoc., Inc. 2107 Danbury Drive San Antonio, TX. 78217 USA Tel.: (210) 930-8181 – Fax: (210) 930-8184

- B. This document is applicable to the following equipment:

Decorative Electrical Window Shade Assy. F50-113M012

TASK 25-23-03-990-802

2. Layout of manual

- A. This manual contains a general description and operation followed by data for maintenance, repair, disassembly and assembly of the equipment. This is followed by an illustrated parts list (IPL), which gives detailed information.
- B. The manual is divided into separate sections:
- (1) Title Page
 - (2) Record of Revisions
 - (3) Table of Contents
 - (4) Introduction
 - (5) Procedures and IPL Sections

INTRO
PAGE 1
MAY 29/03

25-23-03

Lou Martin & Assoc., Inc.
Component Maintenance Manual

- C. This manual will be updated as required by revisions: Service Bulletins may be issued separately. Their effect on this manual will be made evident by reissue of the appropriate list of Service Bulletins.

TASK 25-23-03-990-803

3. Revision of the document

- A. Two types of revisions of the manual are used to follow the evolution of this equipment/

(1) Normal revision

- (a) Normal revisions are periodically issued.
- (b) They are printed on white paper
- (c) A List of Revisions gives a better follow-up of these revisions.
- (d) The changes in the text are shown by a vertical line drawn in the left margin.

(2) Temporary revision

- (a) Temporary revisions can be issued in advance of the normal revision.
- (b) They are printed on yellow paper.
- (c) A List of Temporary Revisions gives their follow-up.
- (d) A letter comes with these temporary revisions to give all the necessary information about the insertion of these revisions.

INTRO
PAGE 2
MAY 29/03

25-23-03

Lou Martin & Assoc., Inc.
Component Maintenance Manual

- (3) General rules for the insertion of temporary revisions
 - (a) A yellow page (with a higher sequential number) can replace a yellow page.
 - (b) A yellow page cannot replace a white page.

TASK 25-23-03-990-804

4. Certification of operation

- A. The maintenance operations described in the present COMPONENT MAINTENANCE MANUAL have been checked in the manufacturer's workshop by observing the disassembly, assembly, testing, and trouble-shooting instructions detailed in this document.

TASK 25-23-03-990-805

5. WARNINGS-CAUTIONS-NOTES

- A. Special adjuncts to the text are expressed by the following headings:

WARNING : CALL ATTENTION FOR THE USE OF MATERIALS, PROCESSES, METHODS, PROCEDURES OR TOLERANCES WHICH MUST BE ADHERED TO CAREFULLY IN ORDER TO AVOID ANY INJURY.

CAUTION: CALL ATTENTION TO METHODS AND PROCEDURES, WHICH MUST BE ADHERED TO IN ORDER TO AVOID DAMAGE TO EQUIPMENT.

NOTE: Call attention to methods, which make the procedures easier.

INTRO
PAGE 3
MAY 29/03

25-23-03

Lou Martin & Assoc., Inc.
Component Maintenance Manual

TASK 25-23-03-990-805

6. List of Abbreviations

ASSY	: ASSEMBLY
ATA	: AIR TRANSPORT ASSOCIATION OF AMERICA
FAA	: FEDERAL AVIATION ADMINISTRATION
FAR	: FEDERAL AVIATION REGULATION
IPL	: ILLUSTRATED PARTS LIST
LB.	: POUND
MS	: MILITARY STANDARD
NAS	: NATIONAL AEROSPACE STANDARD
REV	: REVISION
SB	: SERVICE BULLETINS
TR	: TEMPORARY REVISION

INTRO
PAGE 4
MAY 29/03

25-23-03

Lou Martin & Assoc., Inc.
Component Maintenance Manual

PAGE INTENTIONALLY LEFT BLANK

INTRO
PAGE 5
MAY 29/03

25-23-03

Lou Martin & Assoc., Inc.
Component Maintenance Manual

TASK 25-23-03-870-801

DESCRIPTION AND OPERATION

1. Description

A. General

Basically, the decorative window shade assy. is made of a fiberglass shell, blind assy., inner & outer lenses and a decorative mask.

For attachment, the Cabin window unit picks up four isolators (Ref drawing F50-113M018-511)

For attachment, the E-hatch window unit uses four z-clips (Ref drawing F50-113M012-513 / -514 OPP)

B. Composition

(See FIGURE 1 / GRAPHIC 25-23-03-991-001 Falcon 50 Electrical Window Diagram.)

Lou Martin & Assoc., Inc.
Component Maintenance Manual

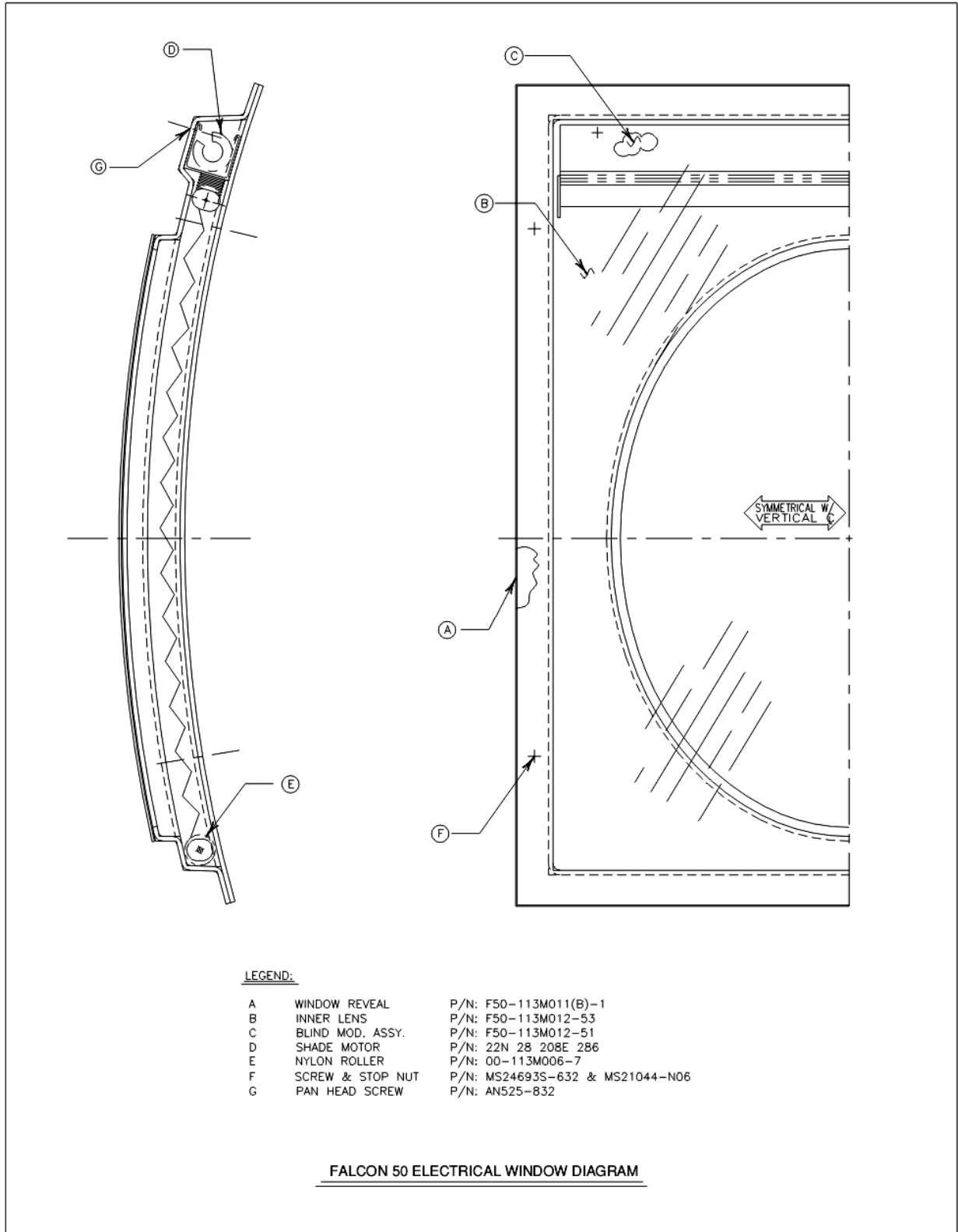


FIGURE 1 / GRAPHIC 25-23-03-991-001

Lou Martin & Assoc., Inc.
Component Maintenance Manual

TESTING AND FAULT ISOLATION

TASK 25-23-03-700-801

1. Testing

A. General

- (1) The tests check the different adjustments, components and mechanisms of the window shade unit.
- (2) The defective parts must be repaired in workshops or can be replaced by serviceable parts.

B. Job set-up information

- (1) Tools, fixtures, equipment and materials

NOTE: Refer to “SPECIAL TOOLS, FIXTURE AND EQUIPMENTS”
for full details on the items used.

C. Procedure

- (1) Make sure the shade unit operates with the desired tension, and does not bind.

Lou Martin & Assoc., Inc.
Component Maintenance Manual

TASK 25-23-03-700-802

2. Fault isolation

- A. Faults you can find during the operations are given here under together with their probable causes and their corrective actions.
- B. After the necessary corrective action is done, do an inspection of the window unit to make sure that the fault is corrected.
- C. Mechanical fault isolation

TROUBLE	POSSIBLE CAUSE	CORRECTION
SHADE ASSY.		
Shade assy. binds on one end during operation.	Roller is catching on inner lens.	Add spacer to move inner lens inboard.
The motor continues to run after the travel rail meets the bottom rail.	Limit switch set to low. Also refer to "Adjustments after installation"	Readjust the down limit switch tab on the top of the headrail. Slide it to the left. This will decrease the travel rail length.
The motor shuts off before the travel rail meets the bottom rail.	Limit switch set to high. Also refer to "Adjustments after installation"	Readjust the down limit switch tab on the top of the headrail. Slide it to the right. This will increase the travel rail length.
There is no power to the motor when the switch is activated.	Loose wiring.	Check all electrical connections. Look for cold solder joints.
When the switch is pushed "up" the shade goes down.	Backward switch plate.	Remove the switch plate and rotate the switch 180 degrees.
WINDOW UNIT		
Unit is loose	Installation screws are loose.	Check and tighten any loose screws.

NOTE: FOR ANY OTHER TECHNICAL ASSISTANCE CALL Lou Martin & Assoc., Inc.

FOR A REWRK, DUE TO MOTOR FAILURE OR REPLACING A BROKEN STRING, SEND ASSEMBLY BACK TO Lou Martin & Assoc., Inc. FOR A TYPICAL 24-HOUR RETURN PERIOD.

PAGE 1002
MAY 29/03

Lou Martin & Assoc., Inc.
Component Maintenance Manual

- C. Adjustments after installation (See FIGURE 2/GRAPHIC 25-23-03-991-002)
- (1) The length of the shade can be adjusted up to three inches. Turn the screw counterclockwise to loosen the up/down adjustment tab.
 - (2) Move the adjustment tab to the right to lengthen the shade, and to the left to shorten the shade.
 - (3) When the proper adjustment is done, hold the adjustment tab in place while turning the screw clockwise to tighten.

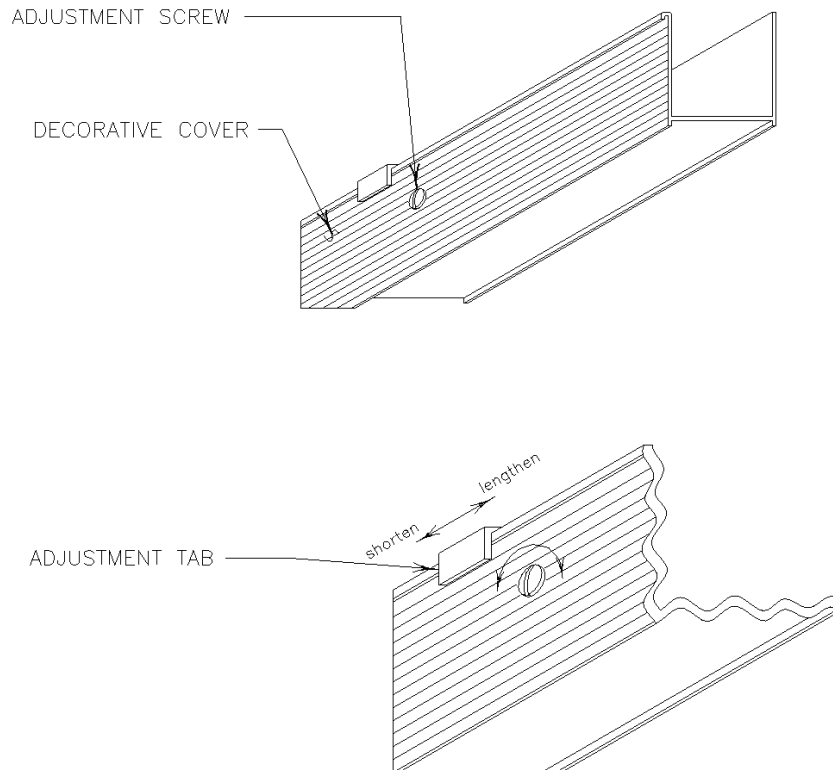


FIGURE 2 / GRAPHIC 25-23-03-991-002

Lou Martin & Assoc., Inc.
Component Maintenance Manual

PAGE INTENTIONALLY LEFT BLANK

Lou Martin & Assoc., Inc.
Component Maintenance Manual

SCHEMATIC AND WIRING DIAGRAMS

TASK 25-23-03-420-801

1. General

The diagrams contained in this section are to be used to show the wiring for the electrical window units in the aircraft.

TASK 25-23-03-940-801

2. Job set-up information

- A. Tools, Fixtures, equipment and materials
None.

TASK 25-23-03-420-802

3. Preliminary Steps

- A. Before the uninstalling, make note of the window assy. location for efficient re-installation and to prevent errors.

TASK 25-23-03-420-803

4. Window wiring diagrams

- A. Refer to FIGURE 3/ GRAPHIC 25-23-03-991-003 thru FIGURE 6/ GRAPHIC 25-23-03-991-006

Lou Martin & Assoc., Inc.
Component Maintenance Manual

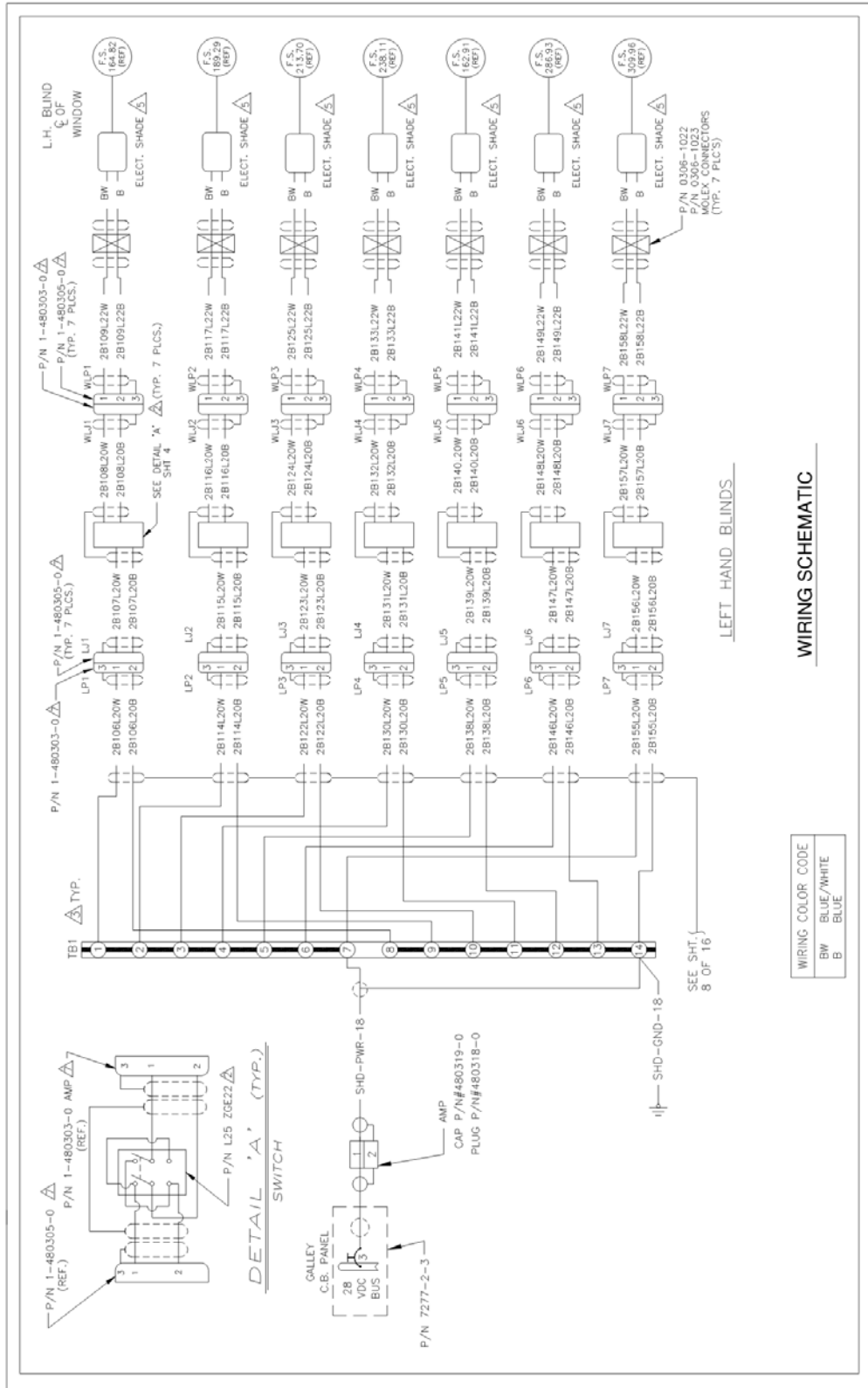


FIGURE 3 / GRAPHIC 25-23-03-991-003

Lou Martin & Assoc., Inc.
Component Maintenance Manual

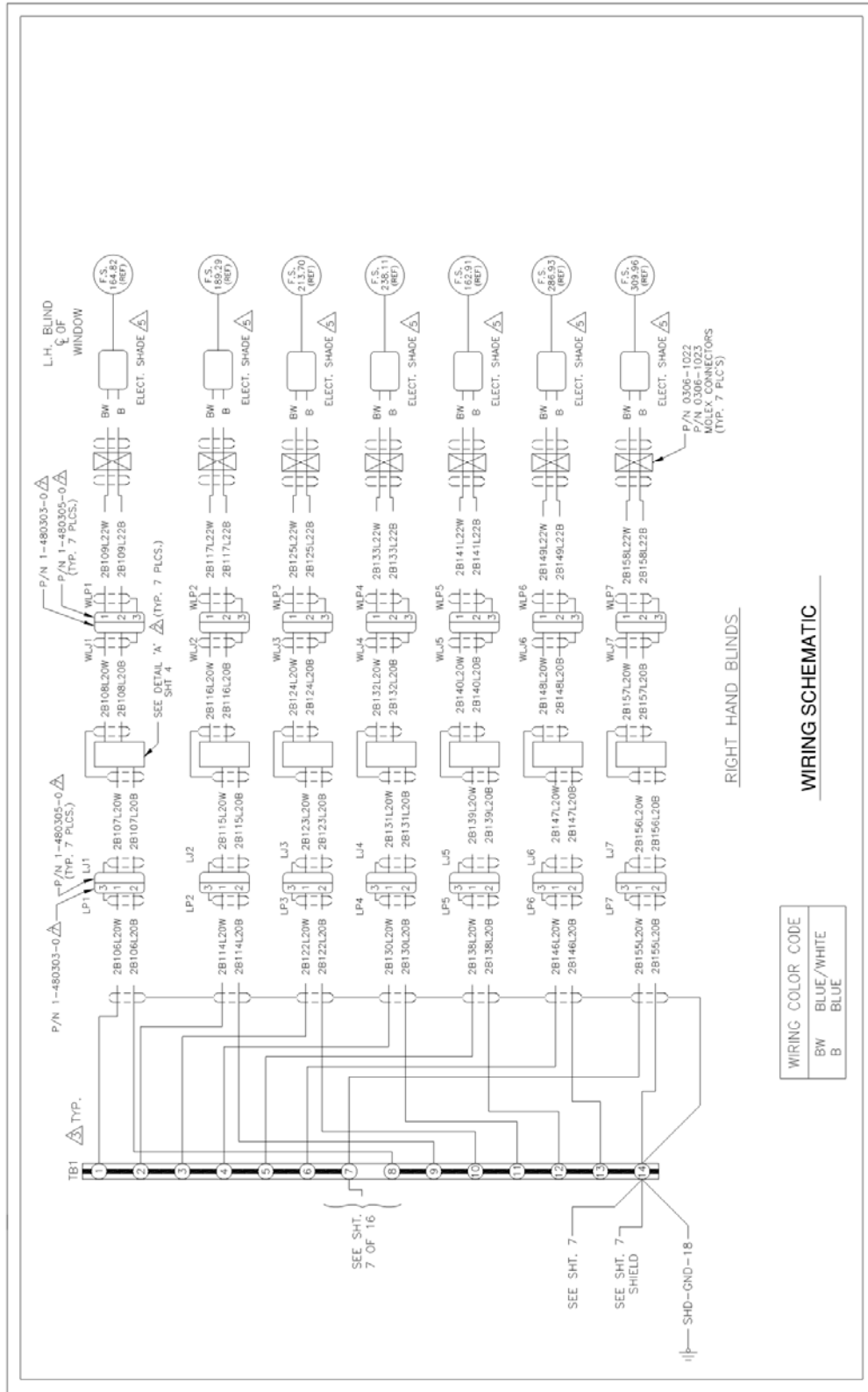


FIGURE 4 / GRAPHIC 25-23-03-991-004

Lou Martin & Assoc., Inc.
Component Maintenance Manual

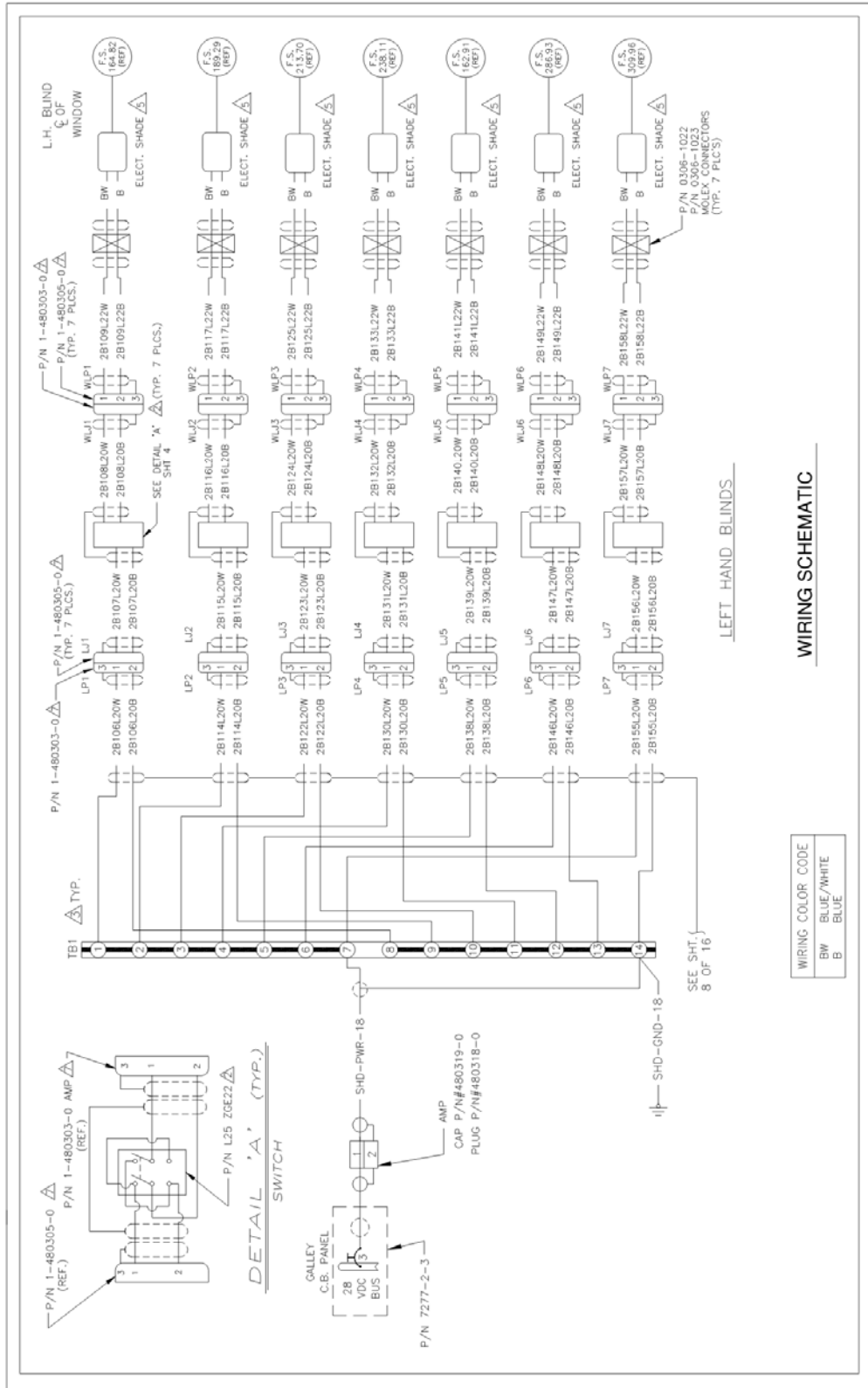


FIGURE 5 / GRAPHIC 25-23-03-991-005

Lou Martin & Assoc., Inc.
Component Maintenance Manual

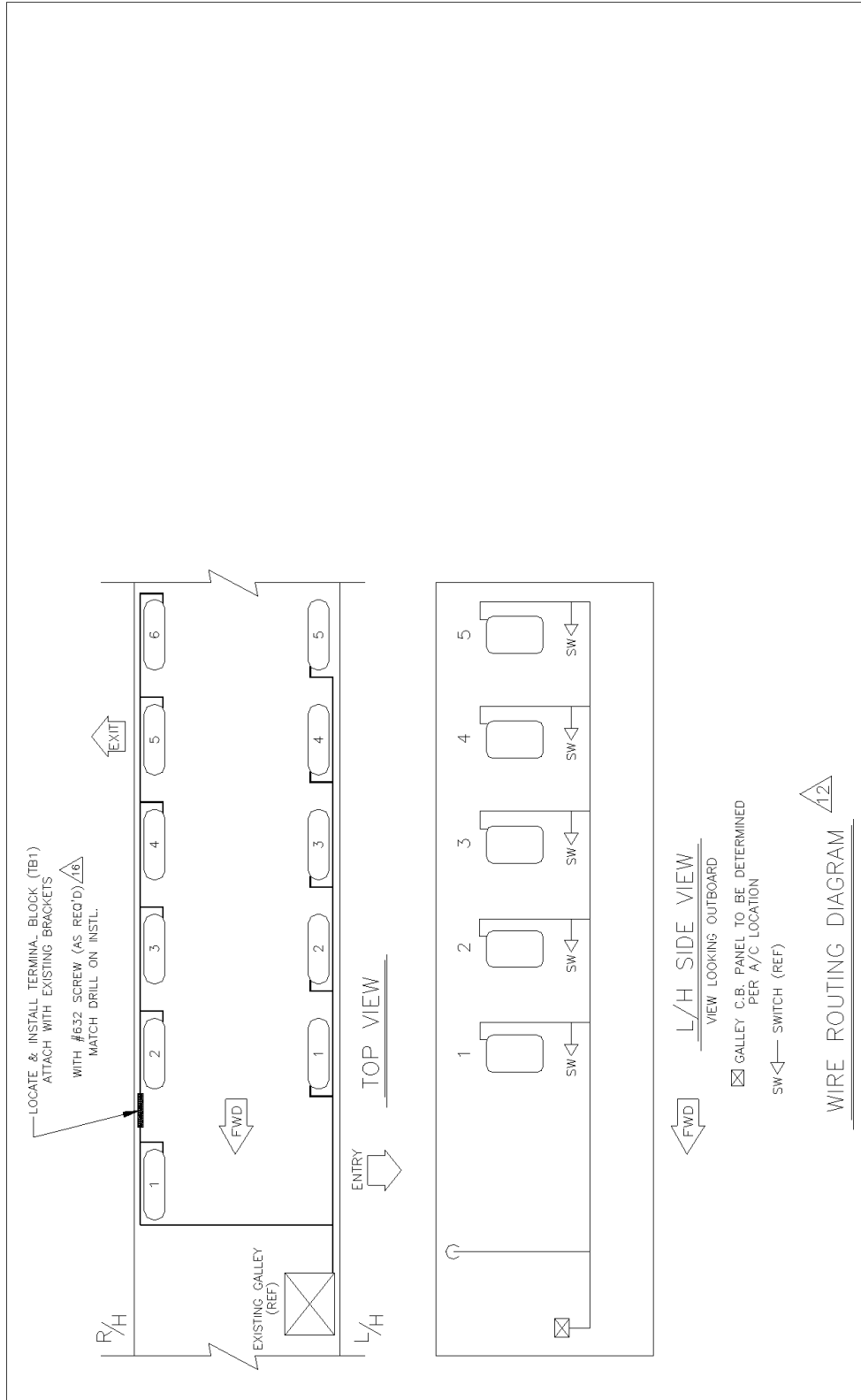


FIGURE 6 / GRAPHIC 25-23-03-991-006

Lou Martin & Assoc., Inc.
Component Maintenance Manual

PAGE INTENTIONALLY LEFT BLANK

PAGE 2006
MAY 29/03

25-23-03

Lou Martin & Assoc., Inc.
Component Maintenance Manual

UNINSTALLING WINDOW SHADE ASSY.

TASK 25-23-03-000-801

1. General

- A. The overhaul instructions contained in this manual are usually implemented in mechanical overhaul workshops.
- B. Avoid removing identification plates, unless manufacturer authorization.
- C. Assure window unit inner and outer lens, and any decorative plated parts are protected at all times when removed from the aircraft.
- D. When removing and transporting the window unit assure the shade is in the up position.

TASK 25-23-03-940-802

2. Job set-up information

- A. Tools, Fixtures, equipment and materials
None.

TASK 25-23-03-000-802

3. Preliminary Steps

- A. Before the uninstalling, make note of the window assy. location for efficient re-installation and to prevent errors.

Lou Martin & Assoc., Inc.
Component Maintenance Manual

TASK 25-23-03-040-801

6. Cabin window removal (Refer to FIGURE 7/ GRAPHIC 25-23-03-991-007)

A. To remove cabin window attachment, refer to FIGURE 7/ GRAPHIC 25-23-02-991-007

Lou Martin & Assoc., Inc.
Component Maintenance Manual

TASK 25-23-03-040-802

7. E-hatch window removal (Refer FIGURE 8/ GRAPHIC 25-23-03-991-008)

A. To remove e-hatch window attachment, refer FIGURE 8/ GRAPHIC 25-23-02-991-008

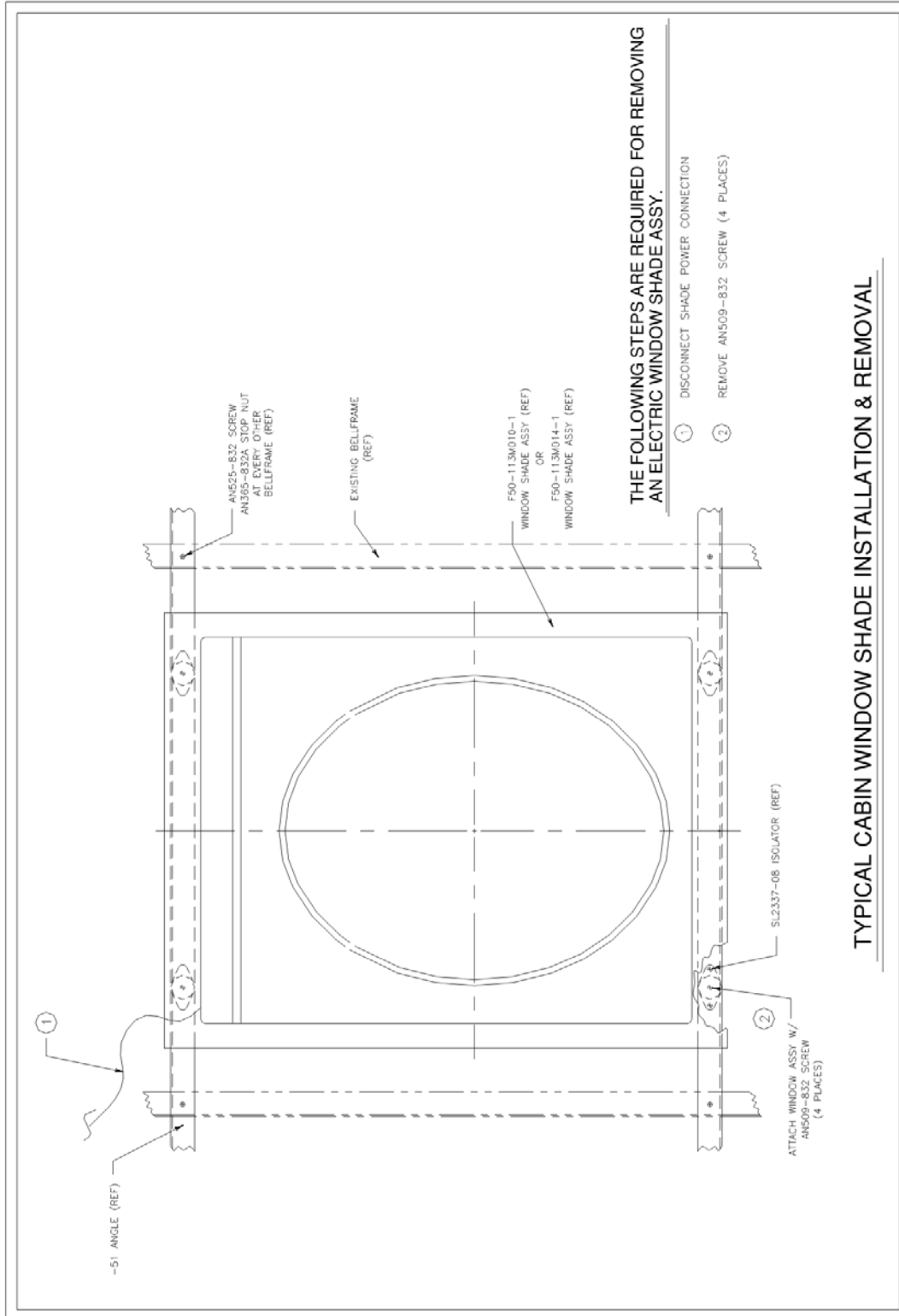


FIGURE 7 GRAPHIC 25-23-03-991-007

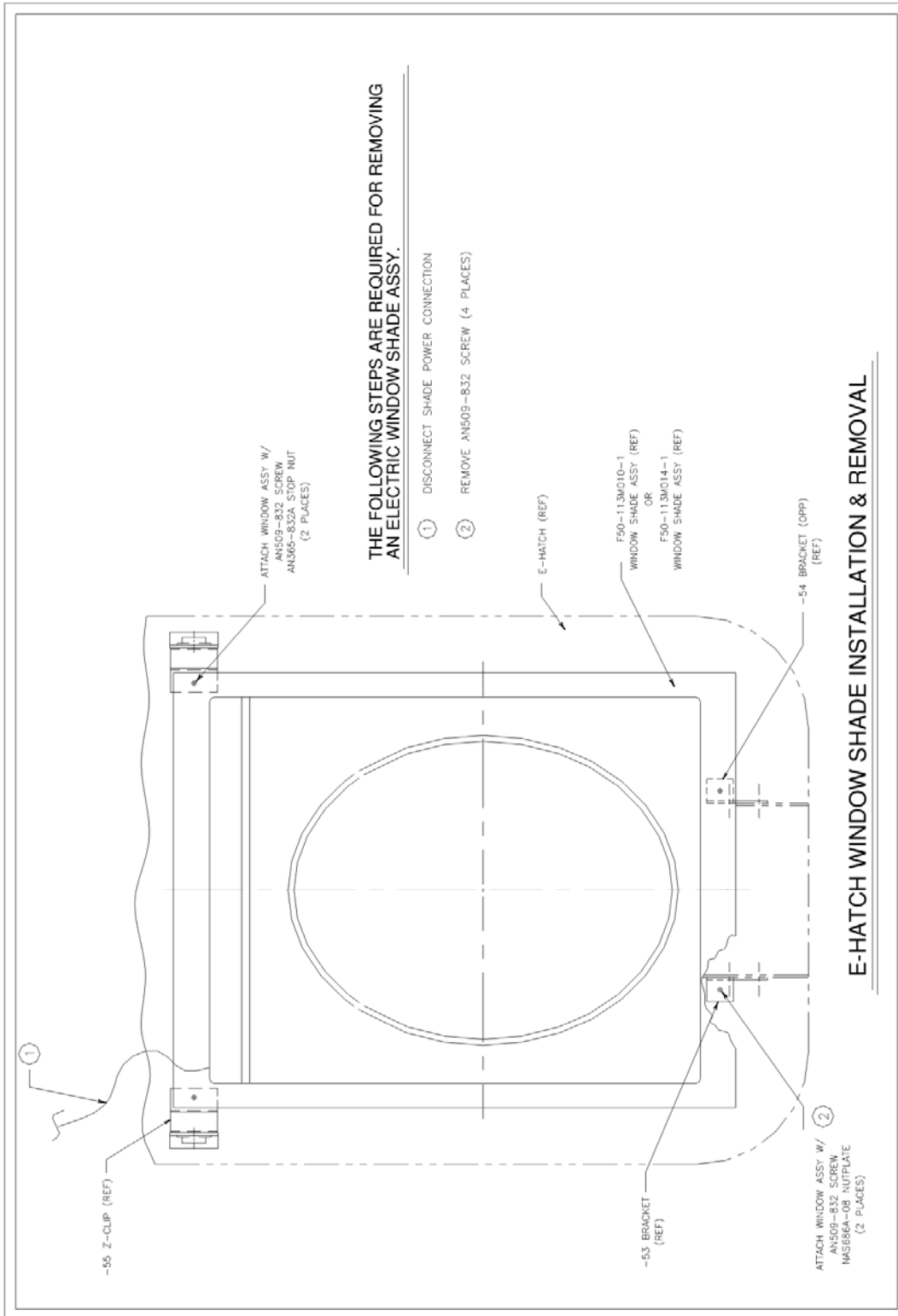


FIGURE 8 GRAPHIC 25-23-03-991-008

Lou Martin & Assoc., Inc.
Component Maintenance Manual

DISASSEMBLY

TASK 25-23-03-000-803

1. General

- A. The overhaul instructions contained in this manual are usually implemented in mechanical overhaul workshops.
- B. Avoid removing identification plates, unless manufacturer authorization.
- C. Only disassemble what is necessary to do the repairs or to replace defective part(s).
- D. When applying the following instructions, never disassemble those components, which have been proved to be in good condition after inspection unless their disassembly is necessary to get access to the defective part.
- E. All the parts must be identified before the disassembly in order to prevent the error and to make the reassembly easier.
- F. For the identification of damage or functional failure refer to:

“AIRWORTHNESS LIMITATIONS”

TASK 25-23-03-940-803

2. Job set-up information

- A. Tools, fixtures, equipment and materials
None.

TASK 25-23-03-000-804

3. Preliminary Steps

- A. Before the disassembly, put marks on all the parts to help the reassembly and to prevent errors.

Lou Martin & Assoc., Inc.
Component Maintenance Manual

TASK 25-23-03-040-804

4. Inner lens removal

- A. Remove screws & stop nuts holding the inner lens in place.
- B. Remove inner lens protecting both sides from damage.

TASK 25-23-03-040-805

5. Blind mod. assy. removal

- A. Assure the shade is in the full up position.
- B. The blind mod. is attached with two screws on the backside of the reveal. Remove the two screws and the blind will be free from the reveal. Refer FIGURE 9/ GRAPHIC 25-23-03-991-009

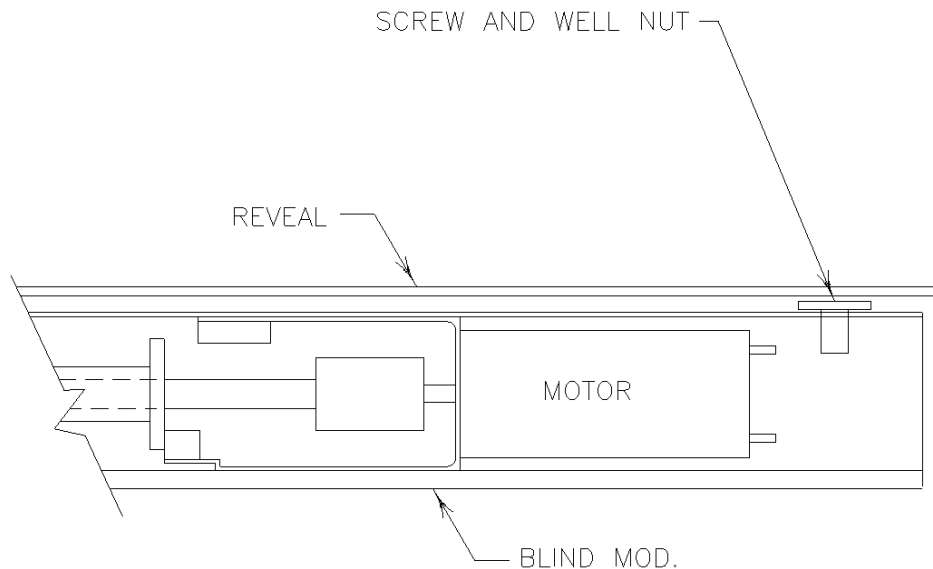


FIGURE 9/ GRAPHIC 25-23-03-991-009

Lou Martin & Assoc., Inc.
Component Maintenance Manual

CLEANING

TASK 25-23-03-100-801

1. General

- A. A full cleaning is necessary before each accurate inspection to find the correct location and the extent of the damage.
- B. Cleaning removes all the remaining particles, which can have an unwanted effect on the performance of the equipment. It also helps the possible repair.

TASK 25-23-03-940-804

2. Job set-up information

- A. Tools, Fixtures, equipment and materials

NOTE: Refer to “SPECIAL TOOLS, FIXTURES, EQUIPMENT AND MATERIALS” for full details on the items used.

REFERANCE	QTY	NAME
#PC-10	AR	NOVUS PLASITC POLISH
BRILLIANIZE	AR	CLEANER & POLISH
39139 (Prepsol)	AR	CLEANER FOR NON-FABRIC PARTS

Lou Martin & Assoc., Inc.
Component Maintenance Manual

TASK 25-23-03-100-802

3. Procedure

A. How to use Novus Plastic Polish No. 1

Remove surface dust with soft cloth. Shake bottle contents and apply a light mist. Spread evenly and buff with a clean, soft, lint-free cloth.

B. How to use BRILLIANIZE Cleaner & Polish

Shake contents firmly and apply evenly to any hard, shiny, non-absorbent surface at room temperature. Rub gently. Before surface dries, polish with a dry lint-free cloth or non-damaging material, until the surface feels “as smooth as ice”.



FIGURE 10/ GRAPHIC 25-23-03-991-0010

Lou Martin & Assoc., Inc.
Component Maintenance Manual

C. Shade fabric

Lou Martin easy-glide shade systems utilize a metallized fabric, which is inherently anti-static. They actually repel dust and seldom require cleaning. An occasional light sweep of a vacuum is all that should be needed.

In the event of a mishap, Lou Martin easy-glide shades may be cleaned with a mild detergent and water. However, water spotting can occur. If a detergent is required, we suggest a mild detergent such as woolite.

Do not use ammonia cleaners near the Lou Martin easy-glide shade. Ammonia cleaners will damage the shade.

Lou Martin & Assoc., Inc.
Component Maintenance Manual

PAGE INTENTIONALLY LEFT BLANK

PAGE 5004
MAY 29/03

25-23-03

Lou Martin & Assoc., Inc.
Component Maintenance Manual

AIRWORTHINESS LIMITATIONS

TASK 25-23-03-200-801

1. General

- A. The Airworthiness Limitations section is FAA-approved and specifies maintenance required under §§43.16 and 91.403 of the Federal aviation regulations, unless an alternative program has been FAA approved.

Lou Martin & Assoc., Inc.
Component Maintenance Manual

PAGE INTENTIONALLY LEFT BLANK

PAGE 6002
MAY 29/03

25-23-03

Lou Martin & Assoc., Inc.
Component Maintenance Manual

INSPECTION\REPLACEMENT & REPAIR

TASK 25-23-03-300-801

1. General

- A. The procedures given in these chapters are general inspection and repair procedures and are not applicable to the riveted or welded parts. The manufacturer must repair the riveted or welded junctions, which are damaged.

TASK 25-23-03-940-805

2. Job set-up information

- A. Tools, fixtures, equipment and materials
- B. It is recommended that the completion center contact Lou Martin & Assoc., Inc. for replacement parts to insure quality and operation

NOTE: Assure window unit lenses, plated parts, decorative mask parts are protected at all times when work is being done.

(1) Repair materials

REFERANCE	QTY	NAME
4945	AR	3M Acrylic foam tape
FMR-604 (.06 Thk.)	AR	Replacement inner lens
8-MIL CORD (WHITE)	AR	Replacement shade string
MS21044-N08	AR	Replacement stop nut
MS51092-N08	AR	Replacement washer
MS24693S-632	AR	Replacement screw
MS24693S-832	AR	Replacement screw
AN3	AR	Replacement bolt
NAS548-P6	AR	Replacement screw
MS35207-832	AR	Replacement screw
22N 208E 286	AR	Replacement motor

PAGE 7001
MAY 29/03

25-23-03

Lou Martin & Assoc., Inc.
Component Maintenance Manual

TASK 25-23-03-200-801

2. Inspection of window unit

- A. When inspecting the window unit write all the damage detected, in some condition, the cause and/or the source. Immediately repair all the damage found.
- B. Visually check all hardware, detail parts and assemblies for the following criteria:
- (1) Wear, tears, fraying of the shade & decorative mask fabric.
 - (2) Tightening of the screws and nuts
 - (3) Condition of the Inner and Outer Lenses for scratches, cracks or spots.
 - (4) Condition of the reveal for scratches, chipping or fading of the paint.
- C. Do a careful check of all the parts for corrosion, distortion, incipient cracks, cracks, dents, nicks, scores, stripped threads, excessive wear, etc. which can damage the performance of the equipment and give it an unsatisfactory condition.

TASK 25-23-03-200-802

3. Replacement of Parts

After the replacement of an item, write a list of the defective parts you must replace and a list of the parts on which a repair or a new production is necessary.

Lou Martin & Assoc., Inc.
Component Maintenance Manual

TASK 25-23-03-350-802

4. Replacement procedure for damaged shade motor

- A. For removal of blind mod. See “DISASSAMBL Y” section 5
- B. To remove the motor, unscrew and remove adjustment screw and well nut (if necessary) located at right hand side of blind. (See FIGURE 11/ GRAPHIC 25-23-03-991-011)
- C. Pull out motor and replace with new motor.
- D. Ensure motor clutch is locked with adjustment screw. Reposition well nut and adjustment screw. . (See FIGURE 12/ GRAPHIC 25-23-03-991-012)
- E. Reinstall blind mod. See “ASSEMBLY” section 3.
- F. Adjust blind length if required. Refer to “TESTING AND FAULT ISOLATION” section 2C for proper adjustments.

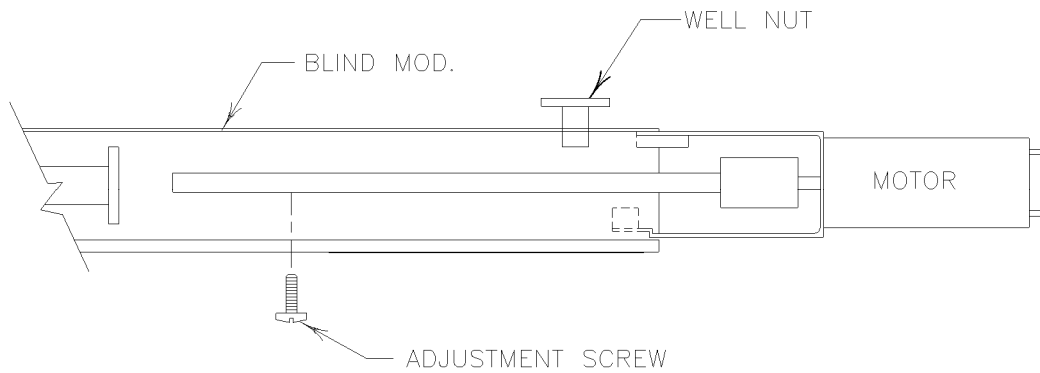


FIGURE 11/ GRAPHIC 25-23-03-991-011

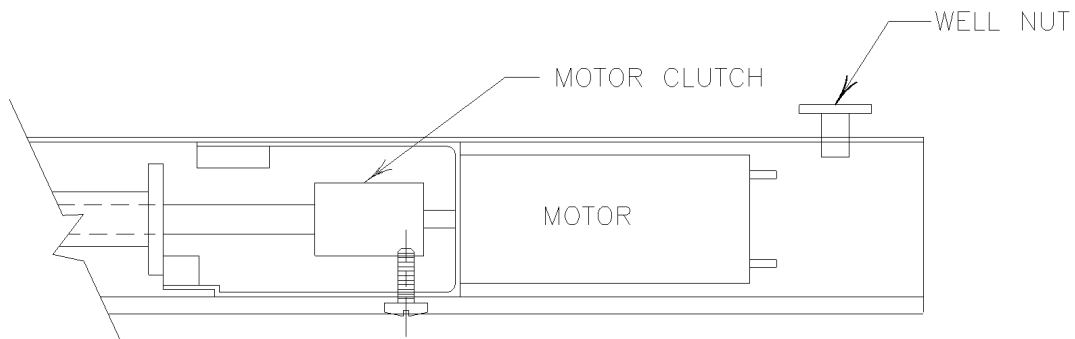


FIGURE 12/ GRAPHIC 25-23-03-991-012

Lou Martin & Assoc., Inc.
Component Maintenance Manual

TASK 25-23-03-350-803

5. Replacement procedure for a damaged inner lens

- A. Mark both sides of inner lens on reveal to assure replacement inner lens is properly located during reassembly.
- B. Remove inner lens from window assy. (See “DISASSEMBLY”, section 5)
- C. Trim replacement inner lens to size, ref table for proper sizing. (See FIGURE 13/ GRAPHIC 25-23-03-991-013) or match size w/ damaged inner lens.
- D. Before attaching new lens decide which side of lens is to be attached to reveal. Remove this side’s protective film. Note: use a static blow-off gun to eliminate dust attraction.
- E. Clamp replacement inner lens to window assy., assure lens follows window reveal’s contour. Note: it will help if the lower surface of lens is clamped first then force the lens to follow reveals contour then clamp upper lens surface. Test shade up & down to check for tension. Loose lens will ease the tension on the shade, if not refer to “Testing & Fault Isolation”
- F. Attach new inner lens to window assy. Match drill lens with existing nut plate locations. Note: when drilling assure not to damage nut plates located on backside of reveal. Then remove clamps. (See “ASSEMBLY”, section 4)

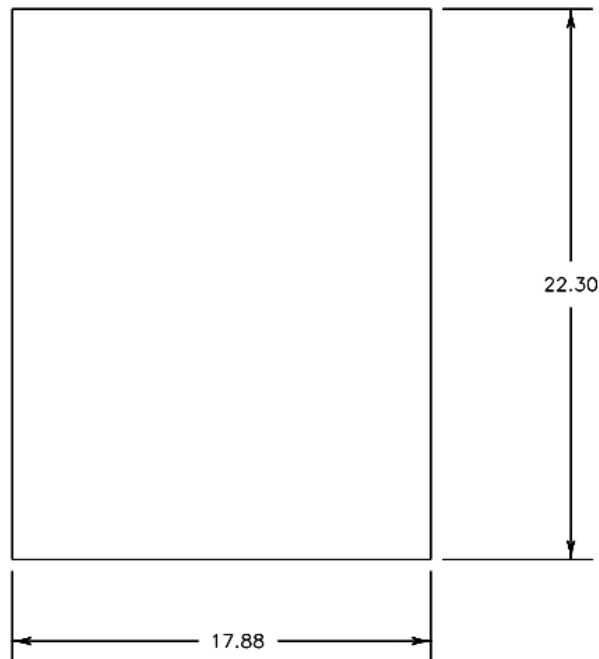


FIGURE 13/ GRAPHIC 25-23-03-991-013

Lou Martin & Assoc., Inc.
Component Maintenance Manual

TASK 25-23-03-350-801

6. Replacement procedure for outer lens (See FIGURE 14/ GRAPHIC 25-23-03-991-014)
 - A. Remove existing outer lens to be replaced. Note: Lens is attached w/ strong adhesive double-sided tape; some hard jerks may be required.
 - B. Remove used tape from reveal and clean surface with clean cloth damped with alcohol or prepsol.
 - C. Apply one layer of #4945 3M Acrylic foam tape to reveal, joining both ends of tape with a seam. (Do not overlay seam)
 - D. Locate new lens and decide which side of lens to be bonded to reveal. Remove this side's protective film before bonding. Note, use a static blow-off gun to eliminate dust attraction.
 - E. Center the lens at one end and work towards the top evenly on both sides pressing firmly for bonding. Go back and press additional strokes to assure full contact all around lens.
 - F. Check lens and assure it follows reveal contour. Assure center of lens is not sunk, if so re-attaching lens may be required.

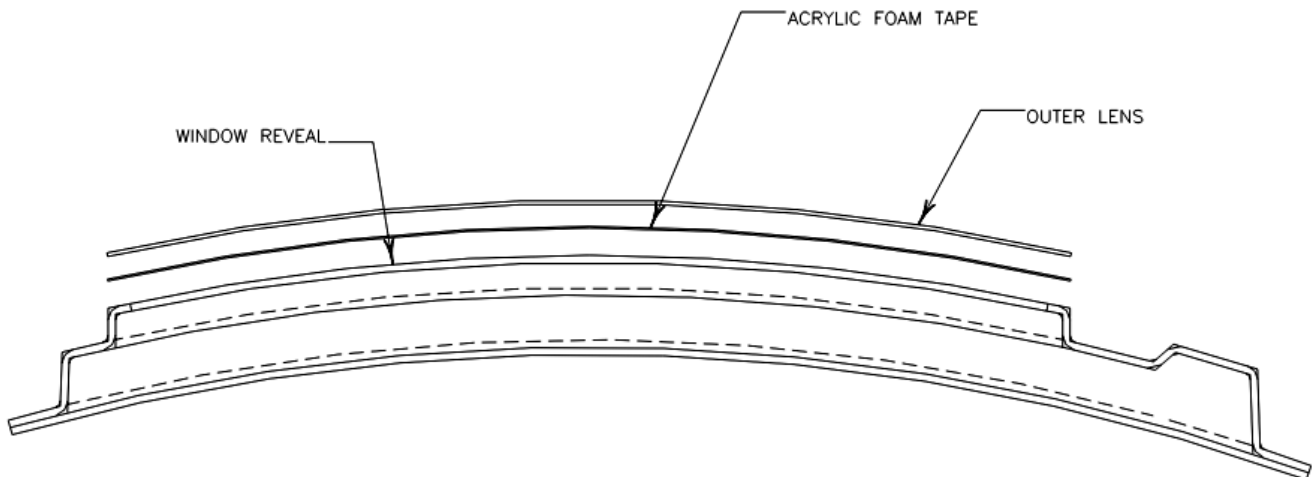


FIGURE 14/ GRAPHIC 25-23-03-991-014

Lou Martin & Assoc., Inc.
Component Maintenance Manual

ASSEMBLY

TASK 25-23-03-400-801

1. General

- A. Before the assembly, make sure that the CLEANING, the CHECK and the REPAIR procedures of all parts are done.
- B. Where it is possible, it is recommended to use new parts and genuine approved parts.

TASK 25-23-03-940-806

2. Job set-up information

- A. Tools, Fixtures, equipment and materials

NOTE: Refer to SPECIAL TOOLS, FIXTURES, EQUIPMENT AND MATERIALS for full details on the items used.

REFERENCE	QTY	NAME
MS21044-N06	AR	Replacement stop nut
MS24693S-632	AR	Replacement screw
B-832	AR	Replacement well nut
NAS548-P6	AR	Replacement screw
AN525-832	AR	Replacement screw
00-113M006-7	AR	Replacement roller

Lou Martin & Assoc., Inc.
Component Maintenance Manual

TASK 25-23-03-440-801

3. Blind mod. Reattachment

- A. Assure the shade is in the full up position.
- B. Feed the wire pigtail thru the grommet at the top of the reveal and pull the wire taught.
- C. Reattach the blind mod. assy. by aligning the well nuts with the existing holes on the backside of the reveal, and secure in place with two AN525-832 screws. (See FIGURE 14/ GRAPHIC 25-23-03-991-014)
- D. Adjust blind length if required. Refer to “TESTING AND FAULT ISOLATION” section 2C for proper adjustments.

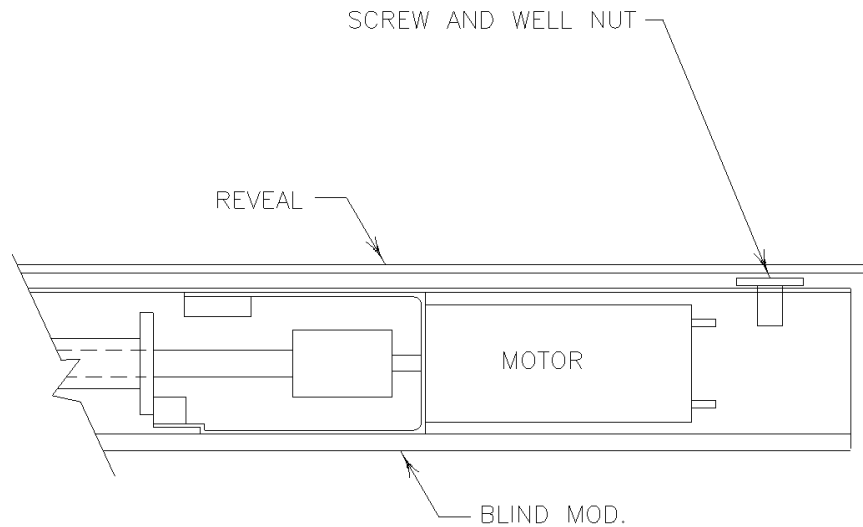


FIGURE 14/ GRAPHIC 25-23-03-991-014

Lou Martin & Assoc., Inc.
Component Maintenance Manual

TASK 25-23-03-440-802

4. Inner lens reattachment

- A. Reattach inner lens with MS24693S-632 screw and MS21044-N06 stop nut (4 places)
- B. Remove protective film from inboard side of lens after attachment.

5. Lower rail and end cap reattachment (Refer FIGURE 15/ GRAPHIC 25-23-02-991-015)

- A. Run shade half way down approx. 7" – 8"
- B. Pull shade away from window reveal and lightly tap-in end cap and roller (NOTE: Use a rubber mallet)
- C. Run shade up & down to assure sooth operation.
- D. Adjust blind length if required. Refer to "TESTING AND FAULT ISOLATION" section 2C for proper adjustments.
- E. Reinstall inner lens see "ASSEMBLY" section 4.

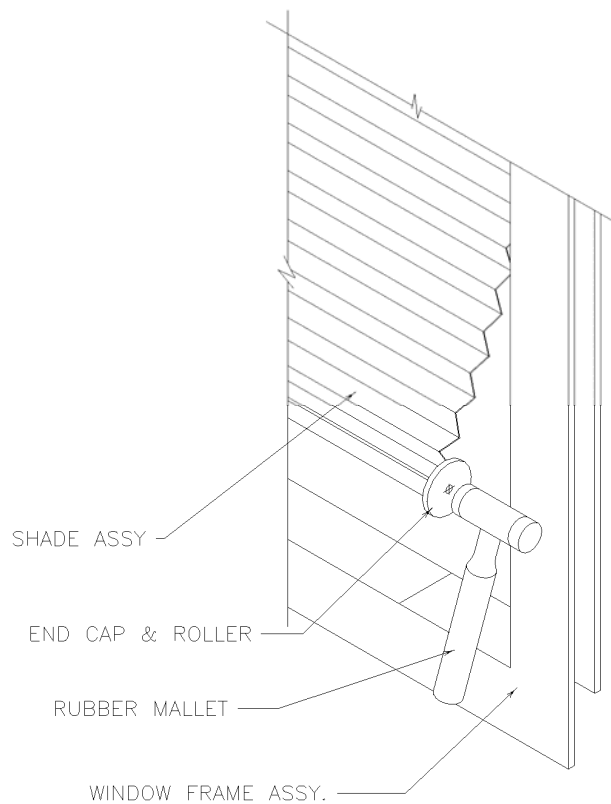


FIGURE 15/ GRAPHIC 25-23-03-991-015

Lou Martin & Assoc., Inc.
Component Maintenance Manual

FITS AND CLEARANCES

TASK 25-23-03-820-801

1. General

- A. The listed clearances are to insure the window is properly installed into the aircraft

TASK 25-23-03-820-802

2. Clearances

- A. Assure a min. clearance of .063 in. (1.59 cm) between the window shade assy. and existing structure.
- B. Assure a min. clearance of .13 in. (3.18 cm) between the window assy's snout and the inboard side of the aircraft's existing pressure lens.

Lou Martin & Assoc., Inc.
Component Maintenance Manual

PAGE INTENTIONALLY LEFT BLANK

PAGE 9002
MAY 29/03

25-23-03

Lou Martin & Assoc., Inc.
Component Maintenance Manual

SPECIAL TOOLS, FIXTURES, EQUIPMENT

TASK 25-23-03-940-807

1. Special tools, fixtures and equipments

No special tools, fixtures and equipment are necessary for the maintenance or the overhaul to be performed on the standard equipment.

Standard tools are used for these operations.

Lou Martin & Assoc., Inc.
Component Maintenance Manual

STORAGE

TASK 25-23-03-940-808

1. General

- A. When any of the window assay's need to be removed from the aircraft, Lou Martin & Assoc., Inc. recommends to stow the shade is in the up position.
- B. Store in a sheltered area with relative humidity
- C. Cover the window unit with large clean plastic bags or equivalent to protect it from dust and other airborne particles.
- D. On the outside of the bag or cover add a tag with its location in the aircraft for tracking purposes and quicker reinstallation in the aircraft.

Lou Martin & Assoc., Inc.
Component Maintenance Manual

PAGE INTENTIONALLY LEFT BLANK

PAGE 11002
MAY 29/03

25-23-03

Lou Martin & Assoc., Inc.
Component Maintenance Manual

ILLUSTRATED PARTS LIST

TASK 25-23-03-950-801

1. Introduction

A. General

- (1) The Illustrated Parts List (IPL) intends to show the details of the equipment and permits easy provisioning of the spares necessary for the maintenance of this equipment.

B. Use of the illustrated parts list

- (1) “Introduction” section

The introduction contains all explanatory information for the individual sections necessary for the use of this IPL.

- (2) “Illustrated Parts List” section

The detailed parts list gives the list and the illustrations of parts making up the considered assembly. The different columns of the parts list pages are organized as follows:

- 1st column: Figure and item number
- 2nd column: Manufacturer’s part number
- 3rd column: Airline part number (not used)
- 4th column: Indenture
- 5th column: Designation
- 6th column: Usage from to
- 7th column: Quantity per Assembly

- (a) Figure and item number

1 Each illustration receives a figure number starting at 01 and carrying on in sequence.

2 Each illustration can be divided up into several folios

3 When it is necessary to add figures, alphabetic indexes are added to the original figure, from A to Z, except I and O

INTRO IPL
PAGE 1
MAY 29/03

Lou Martin & Assoc., Inc.
Component Maintenance Manual

- 4 An item number is attributed to each part mentioned in the detailed parts list. Numbers start at 001A up to 999A per sequence of 10 by 10 or else in order to insert additional items.
- 5 Alternative parts have the same item as the initial part and are indexed.
- 6 To follow the evolution of the standard of parts or assemblies modification, items are indexed from B to Z, except I and O.
- 7 Non-illustrated items are identified by a dash placed in front of the item.

(b) Manufacturer's part number

This column indicates the original manufacturer's part number or the part manufacturer.

(c) Airline part number

This column is left blank; it is reserved for the airline.

(d) Indenture

The designation is presented according to indentations indicating as follows the relation between the different components:

- 1 Assembly
- 2 Sub-assemblies
- 2 Attaching parts of the sub-assembly
- 3 Constitutive parts of the sub sub-assembly
- 3 Attaching parts of the sub sub-assembly
- 4 Constitutive parts of the sub subassembly
- Etc.

Lou Martin & Assoc., Inc.
Component Maintenance Manual

(e) Designation

The designation of the item can be followed by:

- The CAGE manufacturer's code,
- Cross-references indicating numbers, figures, items where this very item is illustrated.

(f) Usage from to

The interchangeability relation of constitutive parts according to the higher assembly is identified by the item number.

This code is only valid for the assembly dealt with in the corresponding figure.

Example:

FIG-ITEM	PART NUMBER	AIRLINE PART NUMBER	I N D	NOMENCLATURE	USAGE FROM TO	UNITS PER ASSY.
- 1A	PN1		1	ASSEMBLY 1		RF
- 1B	PN2		1	ASSEMBLY 2		RF
- 1C	PN3		1	ASSEMBLY 3		RF
10A	SPN1		2	SUB-ASSEMBLY 1	1AC	1
10B	SNP2		2	SUB-ASSEMBLY 2	1B	1
20A	SSNP1		3	SUB SUB-ASSEMBLY 1	10A	1
20B	SSPN2		3	SUB SUB-ASSEMBLY 2	10B	1
30A	SPN3		2	SUB-ASSEMBLY 3		1

Lou Martin & Assoc., Inc.
Component Maintenance Manual

(g) Quantity per assy.

This column gives the number of parts required for an immediately higher assembly.

If a same assembly or a same part appears in several figures, the quantity is only given in the first parts list; the RF abbreviation appears in the following parts list.

If the quantity of a component is to be established as required (EX. seal, etc.) the quantity is replaced by the term AR (as required)

(2) How to use the Illustrated Parts List

(a) When the part number is known:

- 1 Turn to the numerical index and locate the part number.
- 2 The figure and item number on the illustration where the part appears are listed in the column to the right of the part number.
- 3 The corresponding item number in the accompanying parts list will give part number, description, assembly relationship and quantity required for that particular application.

(b) When the part number is not known:

- 1 Look through the illustrations and find the assembly of which the component is part, or look through the illustrations and identify the part by appearance. Note the item number in the exploded view and find part, description and quantity required for that part.

Lou Martin & Assoc., Inc.
Component Maintenance Manual

(5) List of abbreviations

The following abbreviations have been used in this CMM:

AR	As Required. Indicates that an indefinite quantity is required
ASSY	Assembly
CMM	Component Maintenance Manual
CAGE CODE	Commercial and Government Entity Code
DET	Detail
FIG	Figure
H	Horizontal
IND	Indenture
IPL	Illustrated Parts List
LH	Left Hand
NHA	Next Higher Assembly
NP	After any description means that this part number constitutes an assembly of breakdown parts not supplied as a whole. Although not procurable, a view of each assembly, sub-assembly, sub-sub-assembly, or small unit, exploded as necessary to show detail parts, is provided to illustrate each part in the detail parts list. Illustrations of all parts will be technically correct in assembly installation relationships.
QTY	Quantity
RF	Reference indicates those parts which have their quantity listed elsewhere in the Illustrated Parts List.
R	Recline
RH	Right Hand
SYM	Symmetrical
V	Vertical

Lou Martin & Assoc., Inc.
Component Maintenance Manual

PAGE INTENTIONALLY LEFT BLANK

Lou Martin & Assoc., Inc.
Component Maintenance Manual

MAY 29/03

3. Alphanumerical index

PART NUMBER	AIRLINE STOCK NUMBER	FIGURE	ITEM	TTL REQUIRED
00-113M006-7		18	50	2
22N 28 208E 286		18	10	1
834-XXXX		18	40	AR
AN525-832		18	80	2
B-832		18	70	2
CIT3-113M001-1 / -3		19	10	1
		17	010	1
CIT3-113M002-51 / -55		17	030	1
CIT3-113M002-53 / -57		17	020	1
MOTOR HOUSING		18	20	1
LOWER RAIL		18	30	1

ALPHANUMERICAL INDEX
PAGE 1

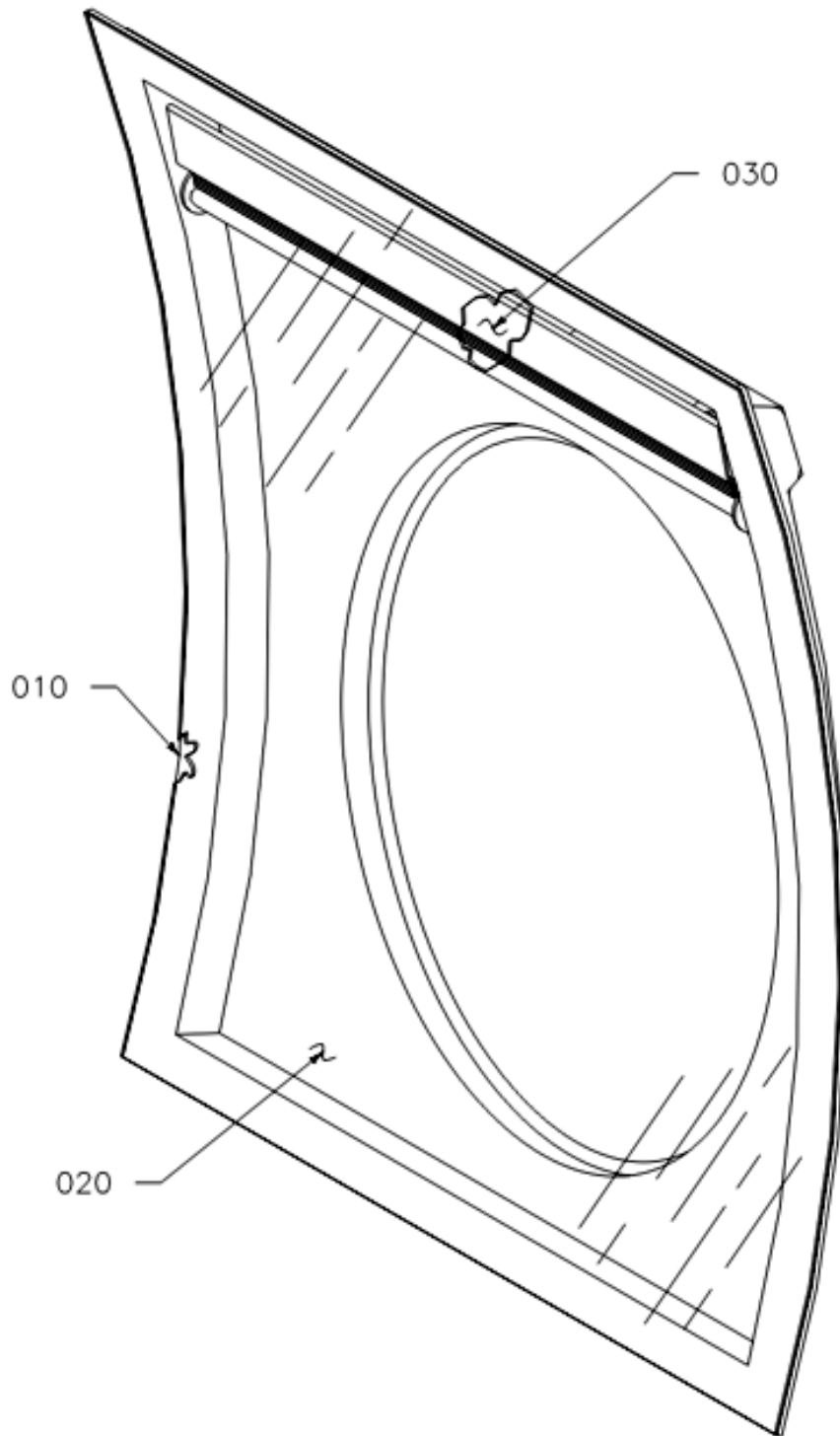
Lou Martin & Assoc., Inc.
Component Maintenance Manual

MAY 29/03

PART NUMBER	AIRLINE STOCK NUMBER	FIGURE	ITEM	TTL REQUIRED

ALPHANUMERICAL INDEX
PAGE 2

25-23-03



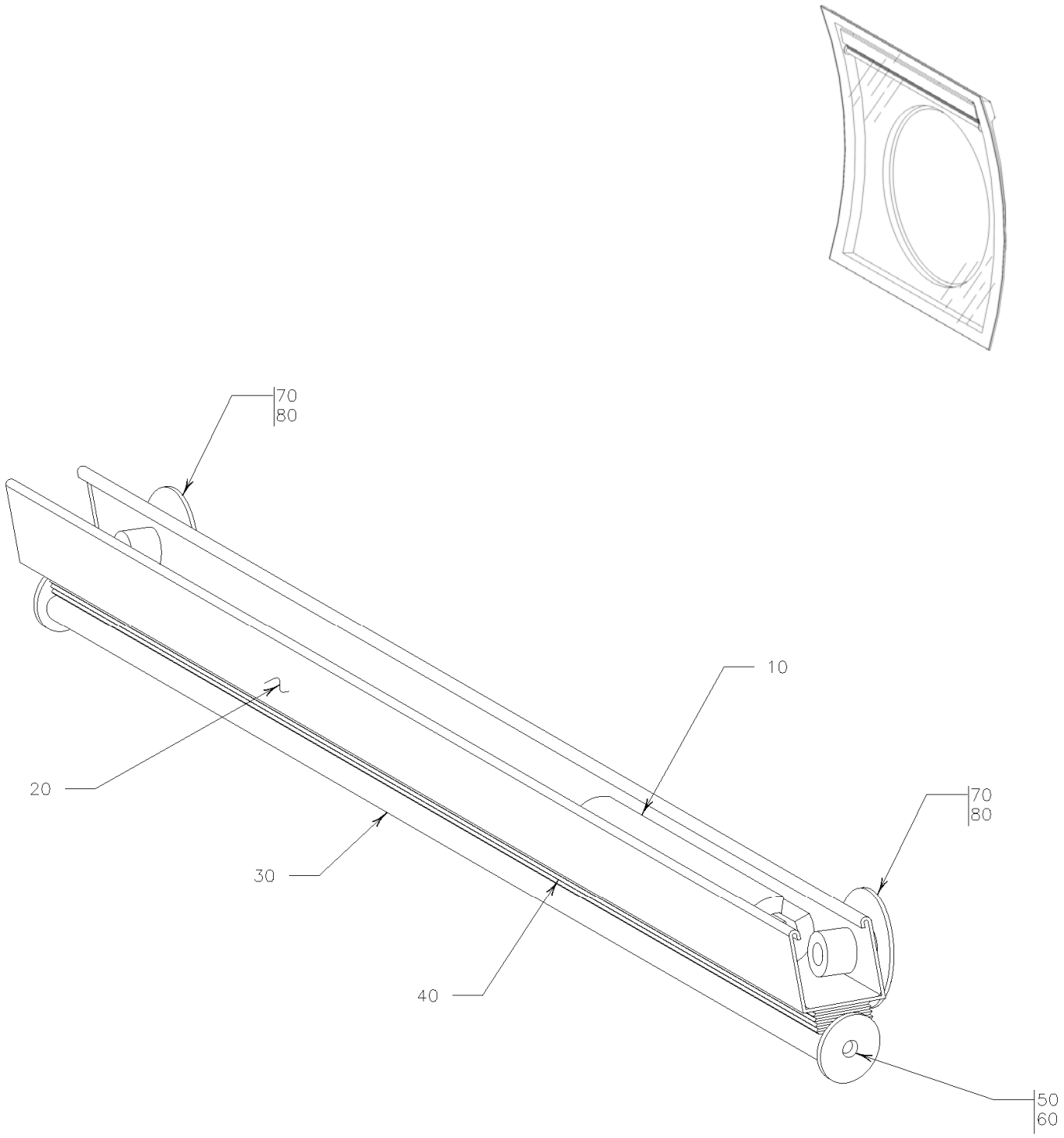
Decorative Electrical Window Shade Assy.
FIGURE 16/ GRAPHIC 25-23-03-991-016

Lou Martin & Assoc., Inc.
Component Maintenance Manual

MAY 29/03

16 FIG-ITEM	PART NUMBER	AIRLINE PART NUMBER	I N D	NOMENCLATURE	USAGE FROM TO	UNITS PER ASSY.
010	CIT3-113M001-1 / -3		1	WINDOW REVEAL		1
020	CIT3-113M002-53 / -57		1	INNER LENS		1
030	CIT3-113M002-51 / -55		1	BLIND MOD.		1

Lou Martin & Assoc., Inc.
Component Maintenance Manual

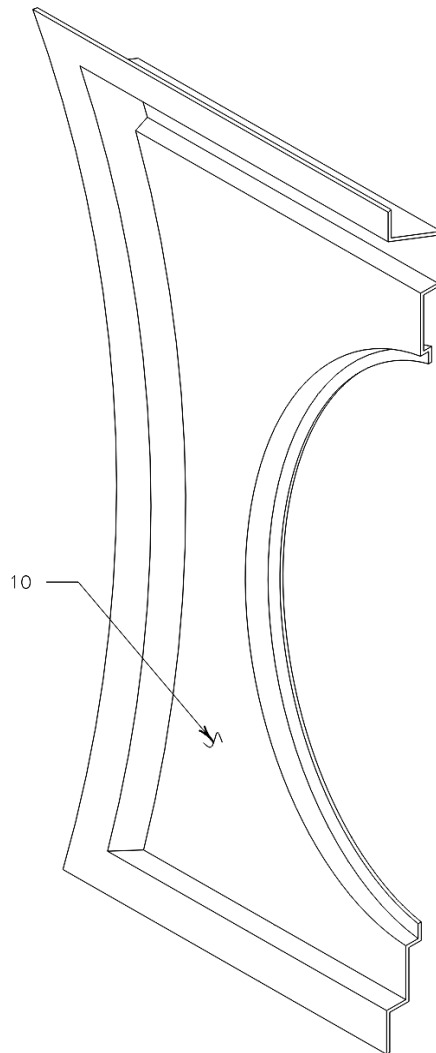
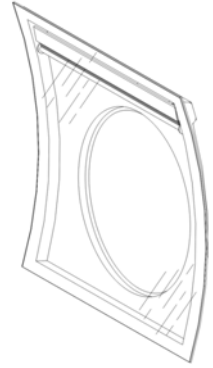


Blind Mod. Assy.
FIGURE 17/ GRAPHIC 25-23-03-991-017

Lou Martin & Assoc., Inc.
Component Maintenance Manual

17 FIG-ITEM	PART NUMBER	AIRLINE PART NUMBER	I N D	NOMENCLATURE	USAGE FROM TO	UNITS PER ASSY.
10	22N 28 208E 286		1	SHADE MOTOR		1
20	SUPPLIED W/ BLIND		1	MOTOR HOUSING		1
30	SUPPLIED W/ BLIND		1	LOWER RAIL		1
40	834-XXX		1	SHADE FABRIC		1
50	00-113M006-7		1	ROLLER		2
60	NAS548-P6		1	WOOD SCREW		2
70	B-832		1	WELL NUT		2
80	AN525-832		1	SCREW		2

Lou Martin & Assoc., Inc.
Component Maintenance Manual



Window Reveal.
FIGURE 18/ GRAPHIC 25-23-03-991-018

Lou Martin & Assoc., Inc.
 Component Maintenance Manual

18 FIG-ITEM	PART NUMBER	AIRLINE PART NUMBER	I N D	NOMENCLATURE	USAGE FROM TO	UNITS PER ASSY.
10	CIT3-113M001-1 / -3		1	WINDOW REVEAL		1